



VELTIA HAND DRYER

Veltia V7 TRI-BLADE



DATA SHEET



VELTIA® is an innovative hand dryer that operates without heating elements. It operates automatically when putting your hands in the drying chamber. It works based on a high speed air flow, allowing dry your hands in a very short time leaving on the skin a nice feeling of massage.

Besides a great effectiveness, VELTIA® includes a bad scents elimination system thanks to ZEROSMELL® (sold separately).

Optional: Hepa Filter H12 (total retention ≥99.5%)

VELTIA® is ideal for washrooms with medium and high number of uses per day.

Patent number: WO / 2006 / 042896

TECHNICAL, ENVIROMENTAL AND MECHANICAL SPECIFICATIONS

| | | |
|------------------------|---------------------------|---------------------------|
| MODEL | 240V | 120V |
| Voltage | 220/230/240V ~ | 110/120V~ |
| Frequency | 50/60 Hz | 50/60 Hz |
| Power Consumption | 1.760 W | 1.749 W |
| Current (when runnig) | 8.0A @ 230Vac | 15.9A @ 120Vac |
| Electrical Isolation | Class II | Class II |
| Air Speed | 340 Km/h (211 mph) | 340 Km/h (211 mph) |
| Drying Time | 6 - 8 s | 6 - 8 s |
| Dimensions | 300 x 195 x 610 (mm) | 300 x 195 x 617 (mm) |
| | 11.81x7.67x24.29 (inches) | 11.81x7.67x24.29 (inches) |
| Weight | 9.15 Kg (20.1 Lb) | 9.15 Kg (20.1 Lb) |
| IP Code | IPX1 | IPX1 |
| Sound Levels (@ 2 mt) | 75 dB | 75 dB |
| Number of Motors | 2 | 2 |
| Motors Speed | 30.000 rpm | 30.000 rpm |
| Motors Driving System | Soft Starting | Soft Starting |
| Hands Detection System | IR - Barrier | IR - Barrier |

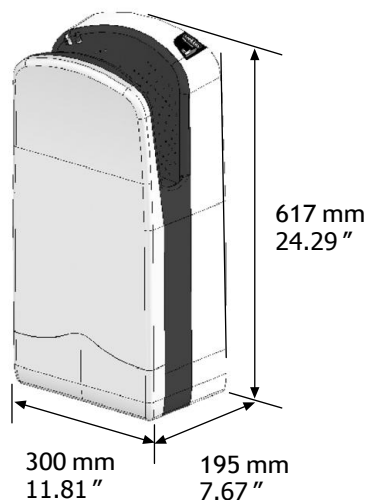
MATERIALS

Housing case and water tank made of High impact 2.6 mm thick ABS with antibacterial protection in drying area. All plastic pieces are properly prepared for recycling.

In 120 V units, internal parts are made of fire retardant plastic rated 5VA according to directive UL94.

Veltia complies with the following directives: ROHS (Restriction of Hazardous Substances) and RAEE (Collection of electrical and electronic equipment and waste management).

DIMENSIONS



CERTIFICACIONES

CB Test Certificate
CE Conformity Declaration(*)

(*) According to European Directives:
Low Voltage Directive (LVD) 2006/95/CE and
Electromagnetic Compatibility Directive (EMC) 2004/108/CE

Other Certifications:

ANCE NOM (Mexico)

SABS (South Africa)

SII - The Standards Institution of Israel



- Australian Standards

Product information subject to changes without further notice

Rev.:1.1

January 2015

VELTEK SYSTEMS S.L.

1/2



VELTIA HANDDRYER

Veltia V7 TRI-BLADE

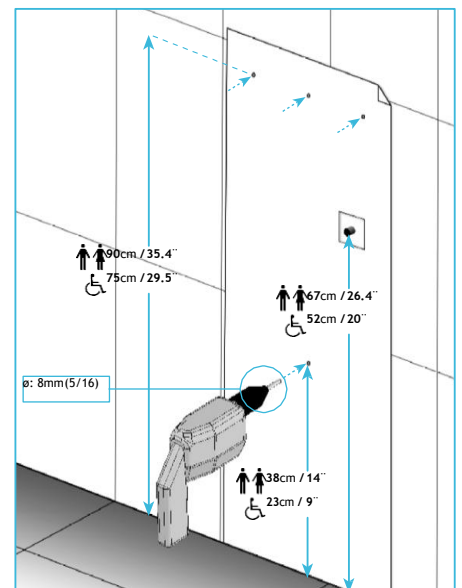
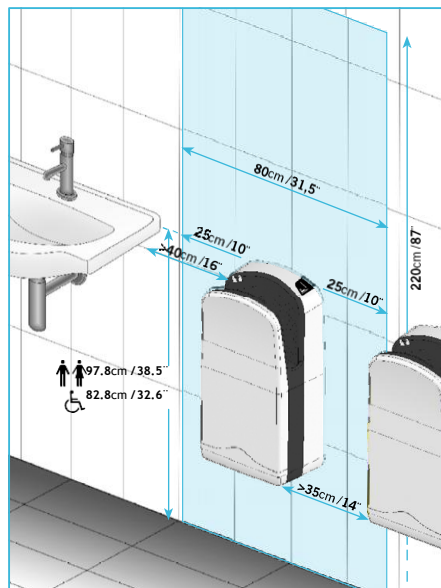
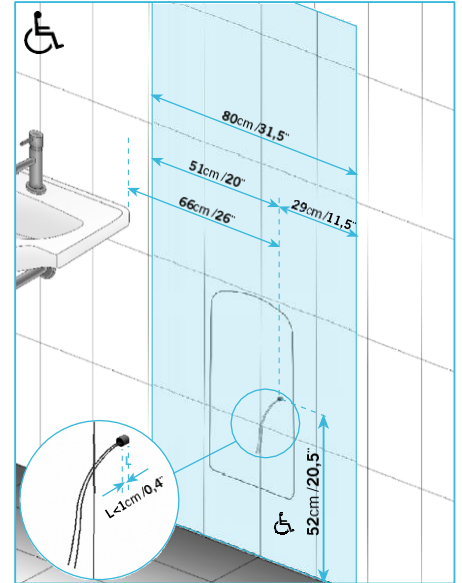
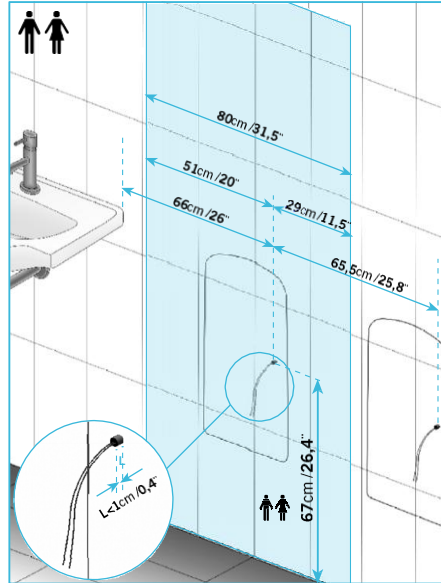
Data Sheet



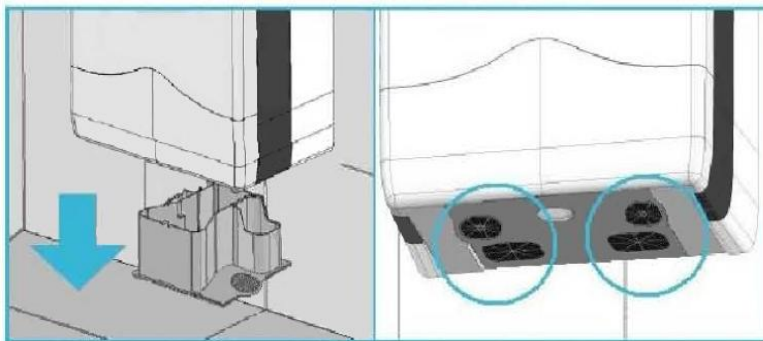
New Generation Hand Dryers



RECOMMENDED HEIGHTS FOR INSTALLATION

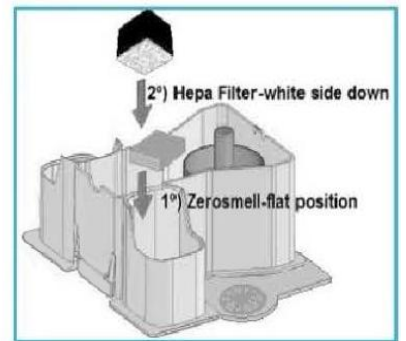


MAINTENANCE



The basic maintenance consists in emptying the water tank and cleaning the air filters following the instructions of the user's manual.

An electronic device warns (audible and visual alarm) if maintenance is required



OPTIONALS:
ZeroSmell and Hepa Filter

Product information subject to changes without further notice

Rev.:1.1

January 2015

VELTEK SYSTEMS S.L.

2/2

